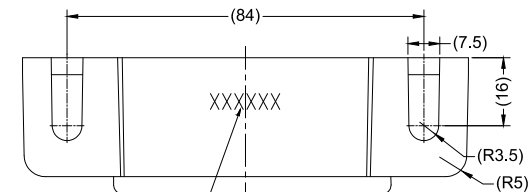
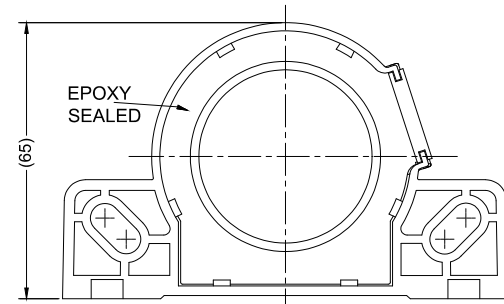
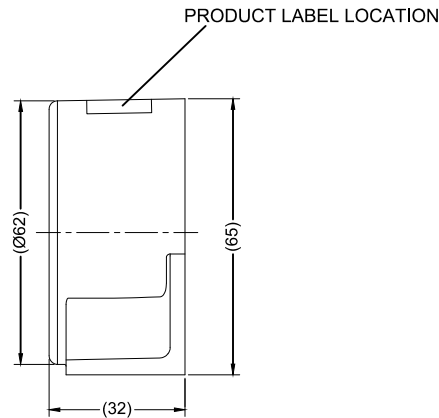
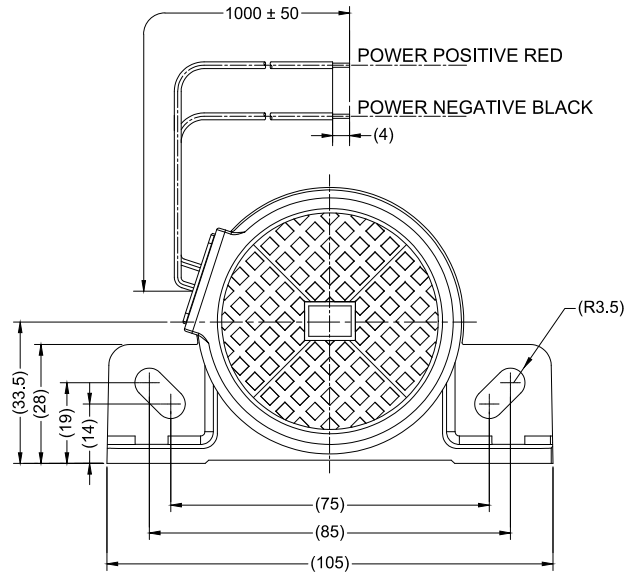
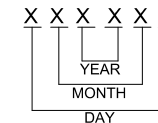


Revision Notes:				
R1 -				
APA:	Drawn:	Checked:	Approved:	Date:



PRODUCTION LOT NO.



SPECIFICATION:

1. RATED VOLTAGE: 12 AND 24 VOLTS DIRECT (WORKING VOLTAGE RANGE 9 ~ 32 VOLTS)
2. RATED CURRENT: 0.3 AMPERES OR LESS.
3. SOUND PRESSURE: 102±4 DECIBELS AT TEST VOLTAGES OF 14 AND 28 VOLTS (AS MEASURED AT A DISTANCE OF 1.2 METERS AND AT A HEIGHT OF 1.2 METERS ABOVE THE GROUND)
4. FREQUENCY: 1600 ± 200Hz AT TEST VOLTAGE OF 12 AND 28 VOLTS.
5. INTERMITTENCE: 80±15 CYCLES PER MINUTE AT TEST VOLTAGES OF 14 AND 28 VOLTS.
6. DURABILITY: TO BE FREE FROM ABNORMALITY AFTER BEING TESTED FOR 500 HOURS CONTINUOUSLY AT TEST VOLTAGE OF 32 VOLTS.
7. RANGE OF OPERATING TEMPERATURE GUARANTEED: -40°C ~ 85°C.
8. OTHERS: SUBJECT TO SAE J994.

NOTES:

1. FINISH: MATT BLACK
2. MATERIAL: ABS PLASTIC
3. "R TRIANGLE" INDICATES CHANGES MADE TO REVISION AS IDENTIFIED IN NOTES.
4. FOR PACKAGING & LABELLING DETAIL REFER TO THE LATEST REVISION OF THE MASTER BOM AND DRAWINGS.

PROPRIETARY NOTICE

THIS DESIGN AND TECHNICAL INFORMATION APPEARING ON THIS DRAWING IS THE PROPERTY OF BRIGADE ELECTRONICS, AND IS DISCLOSED IN CONFIDENCE. IT IS NOT TO BE COPIED, REPRODUCED, REVEALED TO OR EXPROPRIATED BY OTHERS, EITHER IN WHOLE OR IN PART WITHOUT THE EXPRESS WRITTEN CONSENT OF BRIGADE ELECTRONICS.

BRIGADE
www.brigade-electronics.com

Assembly Pl Approval W. FUKUZAWA		Approved by A. KEBEDE		Checked by E. MATHEW		Drawn by J. YU	
Angle of Projection 		Units mm	Scale N/A	Released 17/03/2025	Assembly Ref BA-570		
Third Angle		Status RELEASED	Part No 2885A				
		BE-005025-00-25					